

CAUTION : Read instructions thoroughly and completely prior to beginning installation.

Installation Instructions Separable Elbow Connector - CENELEC interface type A



Only to be used on copper tape screened cable with extruded semi-conductive screen and conductors of copper or aluminium.

Check if the diameter over cable core insulation is in accordance with the cable reducer range as indicated in table below:

Cable reducer size (see marking inside cable reducer)	Dia. over core insulation (mm)	
	min	max
200CA-12	13.0	21.0
200CA-16	17.5	25.0
200CA-19	21.5	28.5

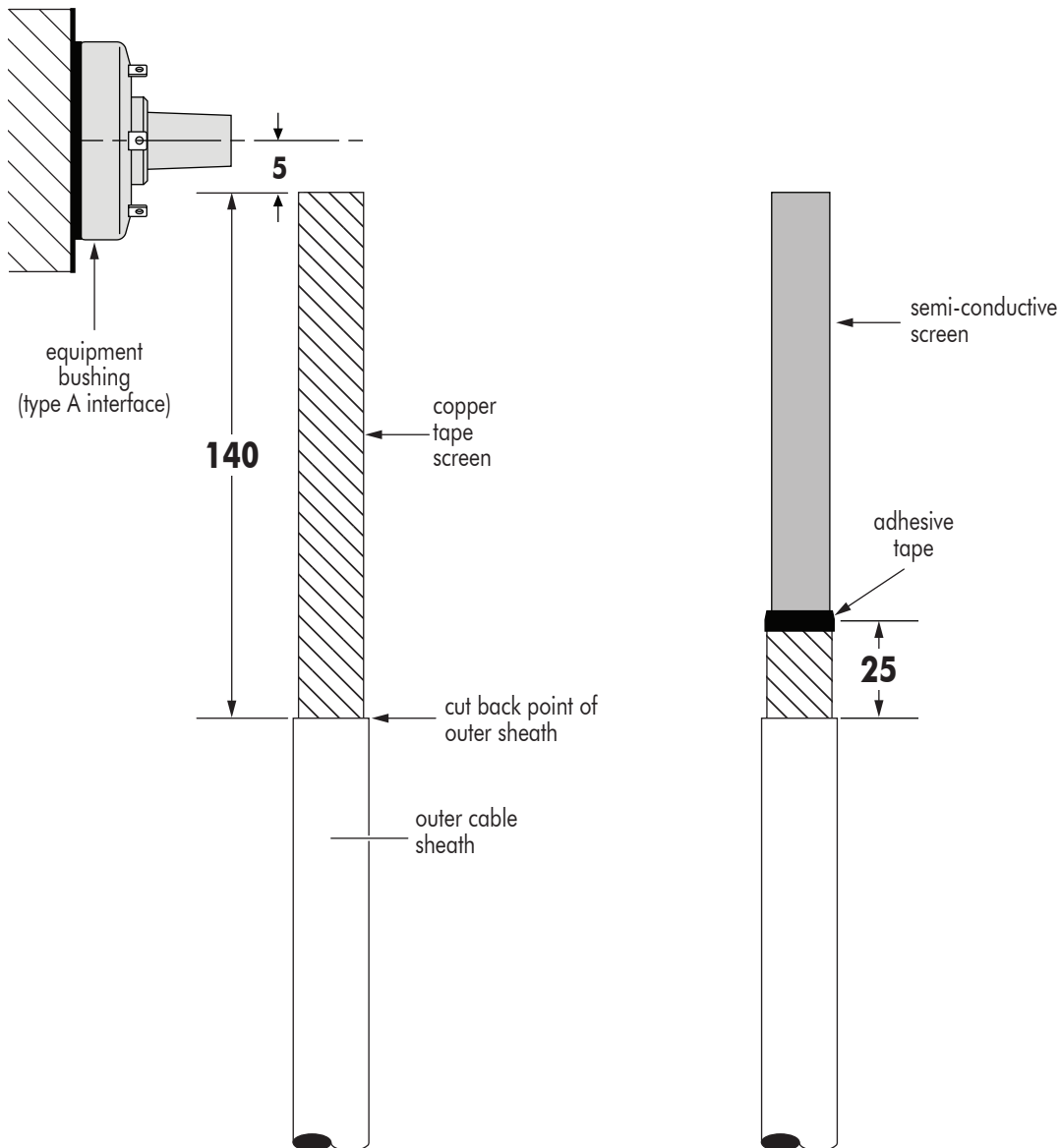
Contents :

3x		OR				
	Elbow connector housing 200LR/G		Elbow connector housing 200LR/G-VD		Cable reducer 200CA	Contact 200LRMC + pin + hex key
Silicone grease + wipers		Gloves		Water sealing mastic, type NGAF		Roll adhesive tape
3x Earthing braid		3x cleating wire		Semi-conductive tape		Installation instructions



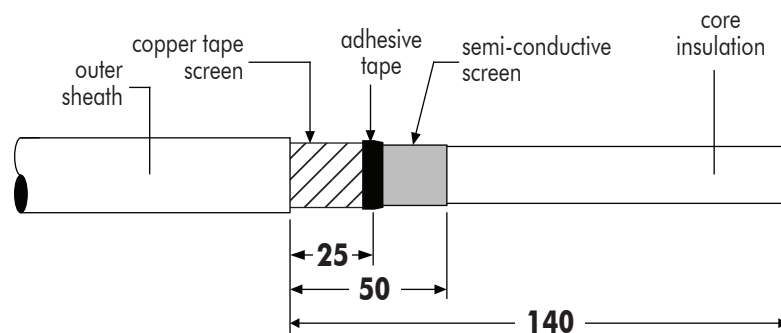
This product should be installed only by competent personnel trained in good safety practices involving high voltage electrical equipment. These instructions are not intended as a substitute for adequate training or experience in such safety practices. These instructions do not attempt to provide for every possible contingency. Failure to follow these instructions could result in damage to the product and serious or fatal injury. **IMPORTANT** : Cable and associated apparatus must be de-energised, locked out, and tagged prior to product installation.

CABLE PREPARATION



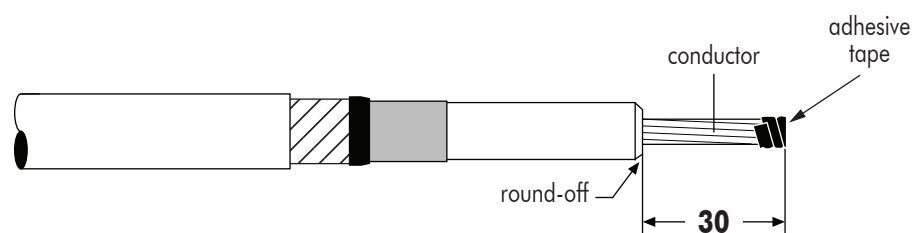
- 1** Cut the cable **5** mm from the centerline of the bushing.
- 2** Remove the outer sheath for a distance of **140** mm.
- 3** Remove the copper tape screen to a point **25** mm from the outer sheath and secure it with a wrap of adhesive tape.

SEMI-CONDUCTIVE SCREEN REMOVAL



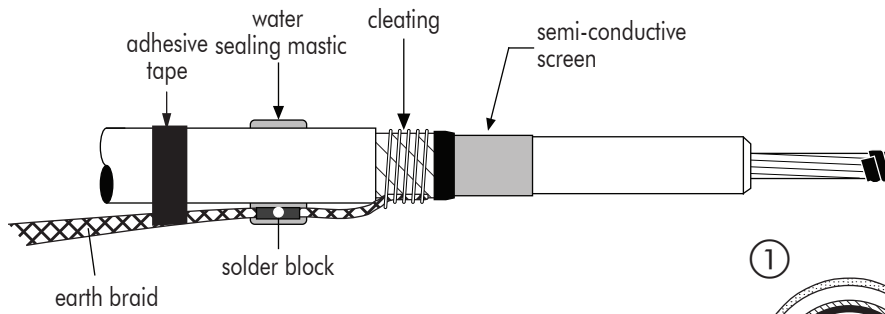
- 1 Check distance of **140** mm.
- 2 Remove the semi-conductive screen to a point **50** mm from the outer sheath.
 - For extruded easy strip semi-conductive screen:**
Cut squarely taking care not to cut the core insulation.
 - For bonded extruded semi-conductive screen:**
Use an appropriate pencilling tool. Make a smooth transition between core insulation and semi-conductive screen.

REMOVAL OF THE CORE INSULATION



- 1 Remove the core insulation from the conductor for a distance of **30** mm.
- 2 Slightly round-off the edge of the core insulation. **Do not sharpen in cone-shape.**
- 3 As a protection, wrap a few turns of adhesive tape around the conductor end.

SCREEN EARTHING



1 Secure the earth braid with a wrap of adhesive tape.

2 Cleat the braid to the copper screen.

3 For outdoor applications:

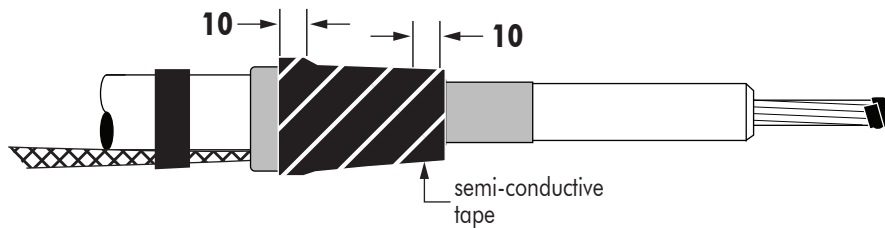
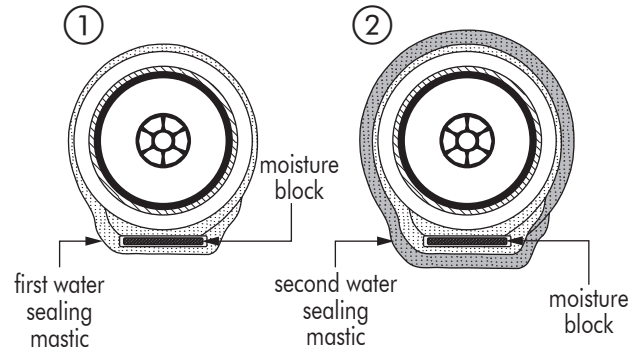
a) At the level of the moisture block, apply one layer of sealing mastic around the outer sheath (①).

b) Push the earth braid into the mastic layer .

c) Apply the rest of the mastic over the moisture block and compress.

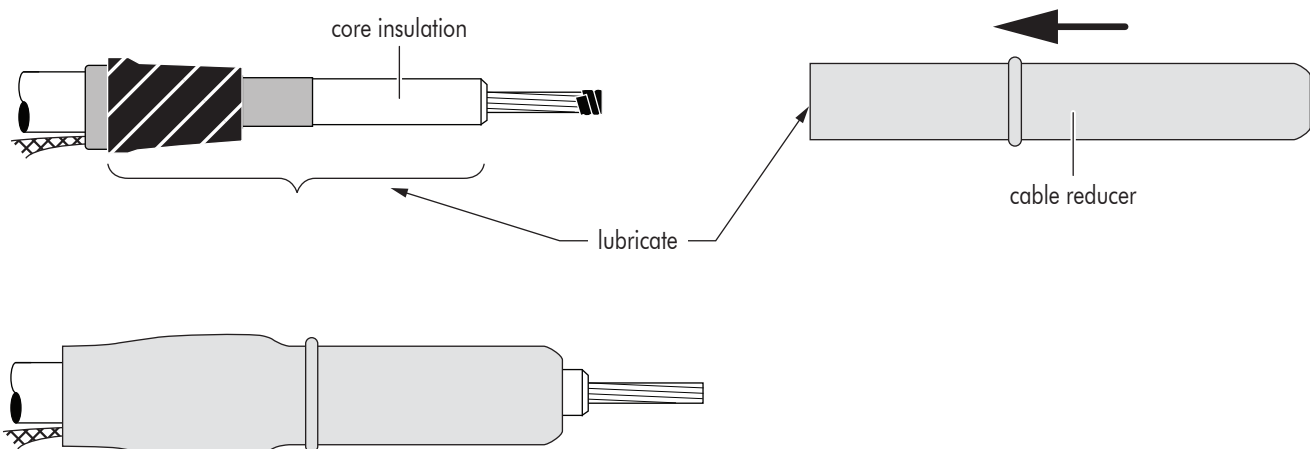
d) Apply the second strip of water sealing mastic around outer sheath and moisture block (②).

e) Compress the mastics, using the coated side of the backing paper.



5 Cover the cleating with two layers of semi-conductive tape overlapping the water sealing mastic by **10** mm and overlapping the semi-conductive screen by **10** mm (50% stretch, 50% overlap).

INSTALLATION OF THE CABLE REDUCER



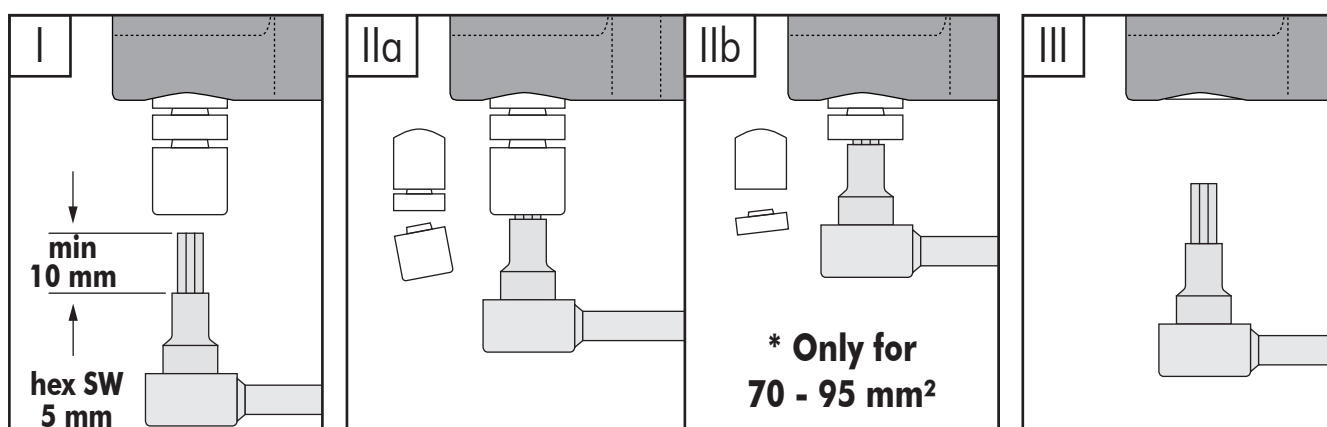
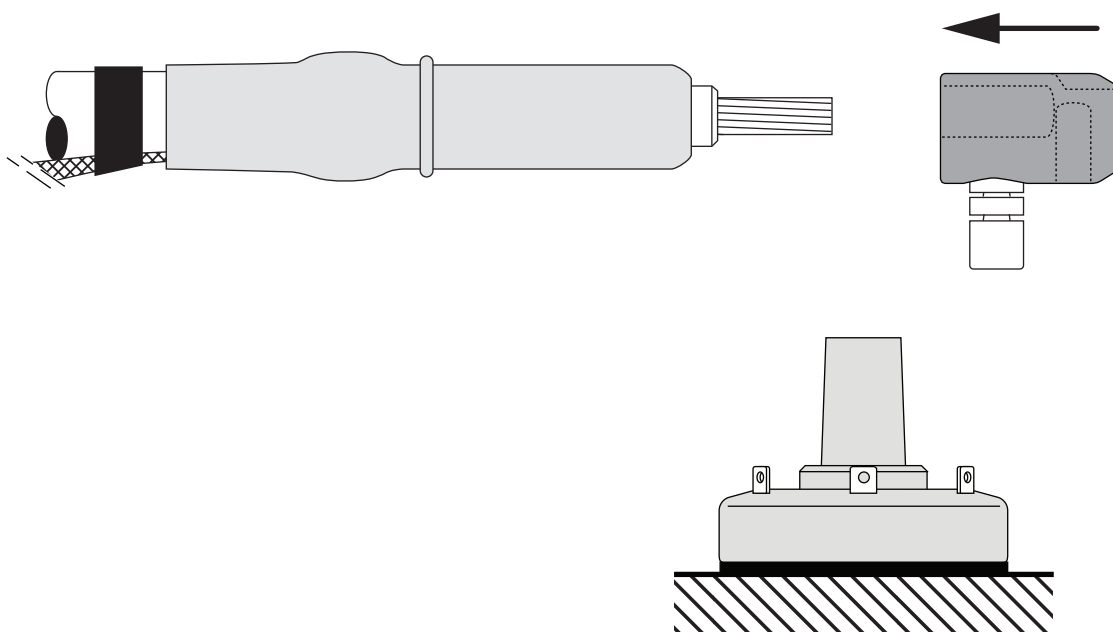
1 Thoroughly clean core insulation.

2 Lubricate* the indicated area : cable surface and inner surface of the reducer.

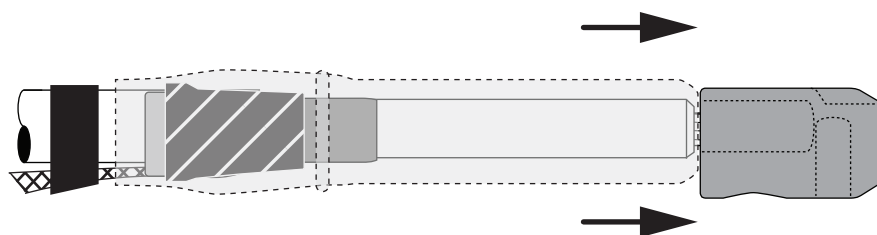
3 Slide the reducer down the cable.

4 Remove the protective adhesive tape from the conductor.

TIGHTENING OF THE CONTACT

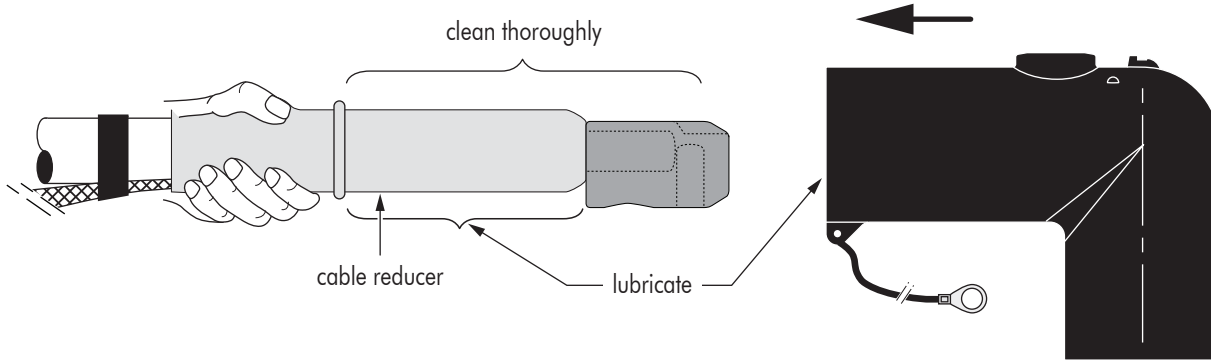


- 1** For aluminium conductors, wire brush the conductor to break up the oxide layer and insert into barrel immediately.
- 2** Install the contact with the contact palm facing the bushing interface.
- 3** Tighten the contact until the bolt head shears off.
It is recommended to use a holding tool for ease of installation.
(* For 70 - 95 mm², tighten again until the second level of the bolt head shears off.

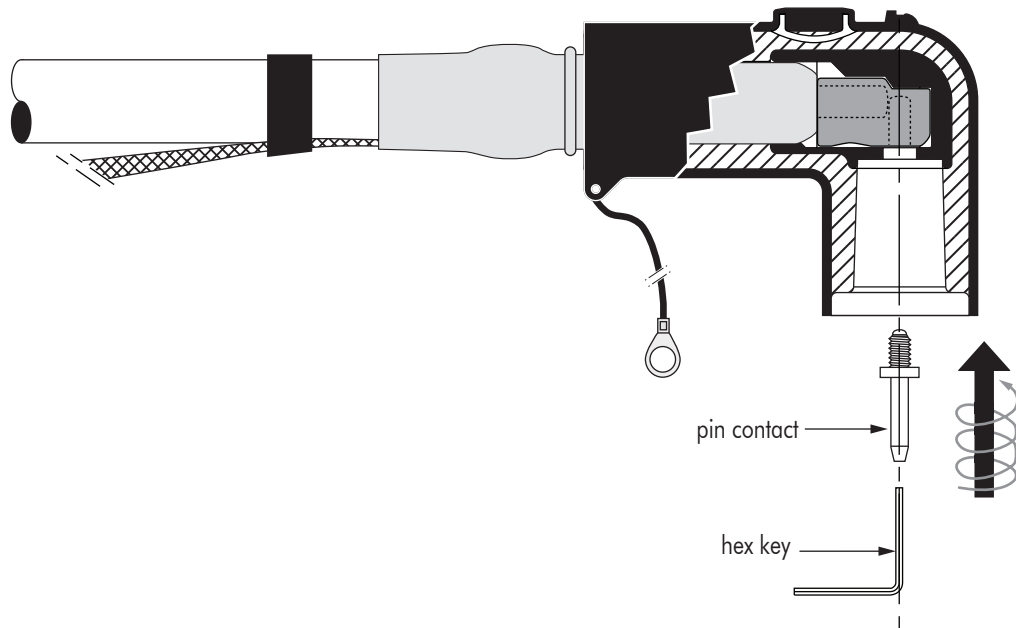


- 3** After tightening the contact, slide the cable reducer up until it butts against the contact.

CONNECTOR INSTALLATION ON THE CABLE



- 1 Thoroughly clean cable reducer and contact.**
- 2** Lubricate* the cable reducer and inside surface of the connector.
- 3** Hold the cable reducer with one hand, whilst sliding the connector housing onto the reducer until it cannot advance any further.



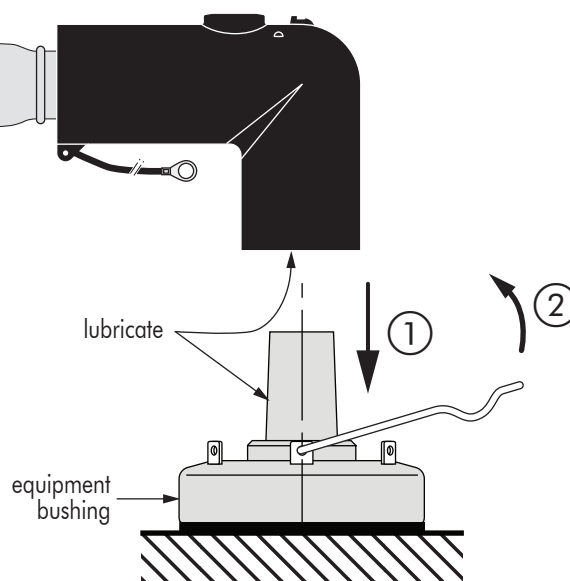
- 4** Insert the supplied hex key into the pin contact. Insert the threaded end of the pin contact into the mating part and engage threads. **Take care not to cross threads.**
- 5** Tighten with the supplied hex key until the key has taken a set.

NOTE:

- The hex key must be inserted in the pin contact until it cannot advance any further.
- The hex key is only usable twice (once every side).

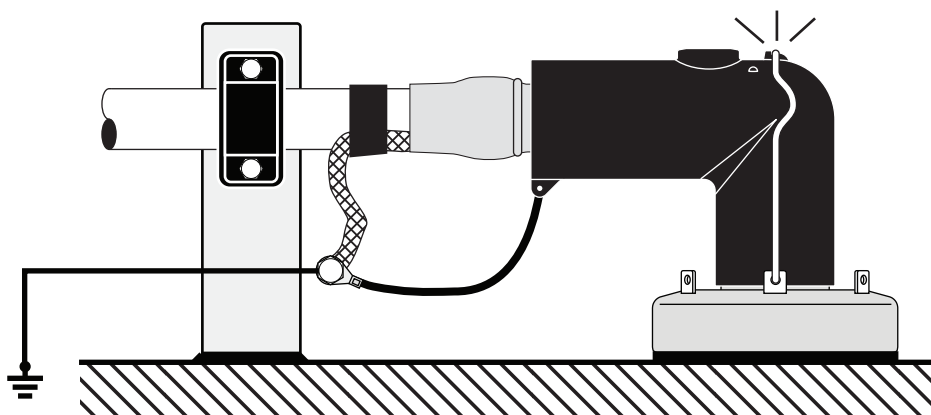
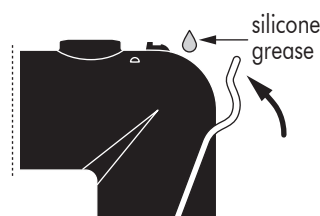
CONNECTOR INSTALLATION ON THE BUSHING

- 1 Clean and lubricate* both bushing interface and elbow connector interface.
- 2 Place the elbow connector firmly down on the bushing ①.
- 3 Insert bail into the bushing tabs and position bail over elbow connector ②.



Installation hint :

Apply a small dash of silicone grease on the connector's surface to easily snap the bail into position.



- 4 Connect earthing lead of the connector and flexible braid to the system earth.

NOTE :

A connector/bushing mated combination should not be allowed to carry the full weight of the cable. Therefore it is necessary to clamp the cable as close as possible to the connector.

IMPORTANT NOTES :

- Never disconnect the connector from energised equipment nor energise a disconnected connector without previously installing an appropriate mating part.
- Do not allow hydrocarbon oils or solvents to contaminate the E.P.D.M. rubber. In the event of contamination, wipe the surface clean with a dry cloth.

* USE ONLY THE SILICONE LUBRICANT SUPPLIED

Nexans
BRINGS ENERGY TO LIFE

Nexans Network Solutions NV - div. EUROMOLD

Zuid III - Industrielaan 12
B-9320 EREMBODEGEM-AALST - BELGIUM

Tel: +32 (0)53/85 02 11

www.euromold.be - sales.euromold@nexans.com

EUROMOLD®